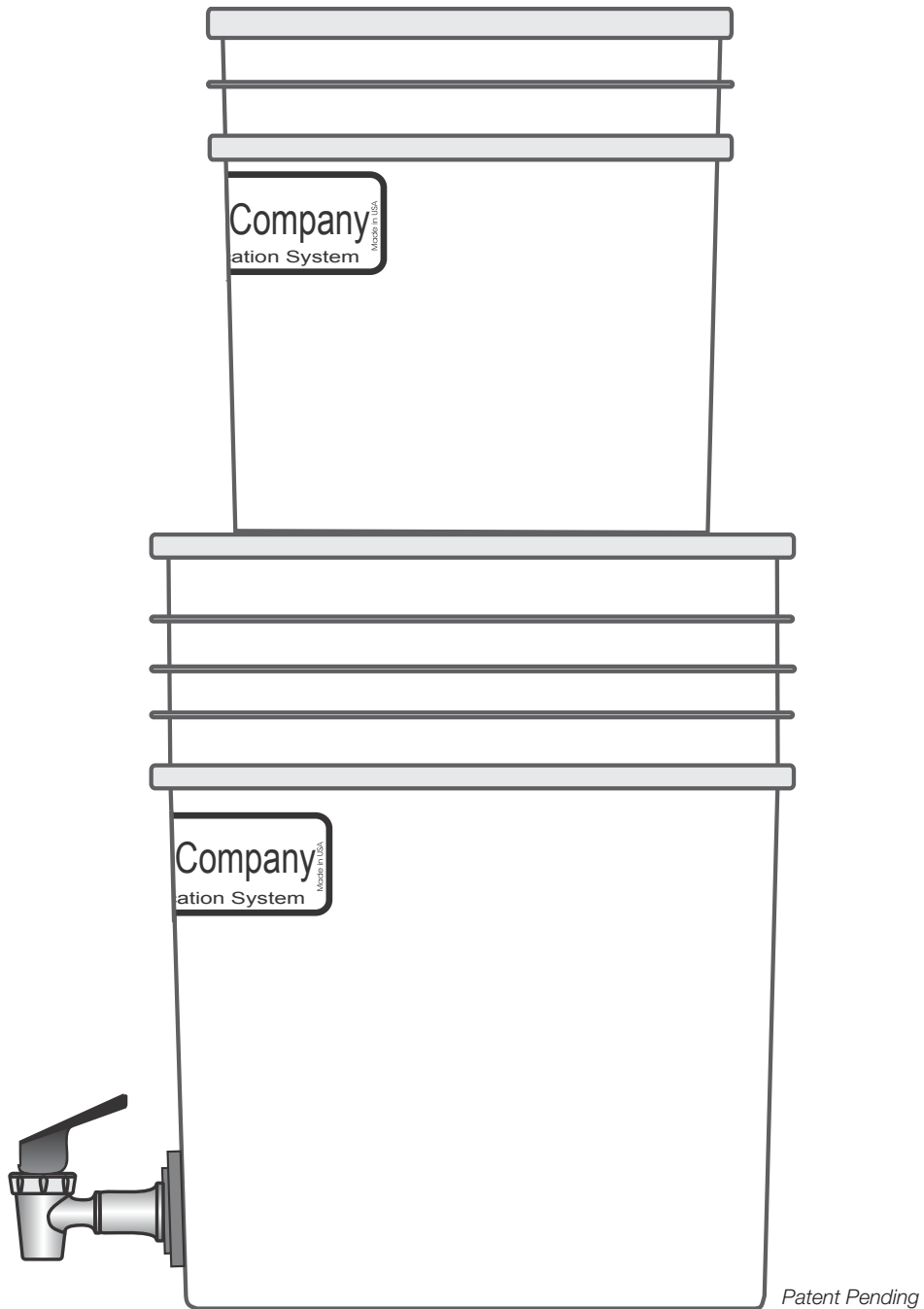




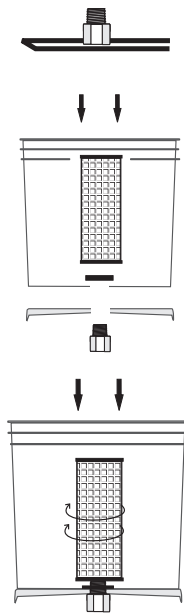
**INSTALLATION AND OPERATING INSTRUCTION MANUAL**



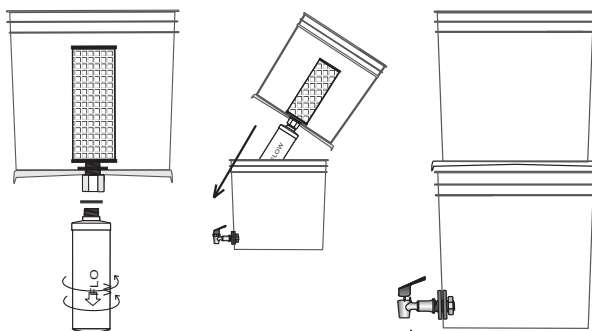
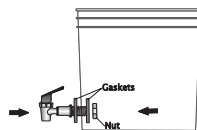


## ASSEMBLY

1. Place the Filter Connector on a hard surface with the threaded end up.
2. Place the threaded portion of the connecting Adaptor up, through the hole in the Clean Water Pail Lid, and then through the hole in the bottom of the Filter Pail. (as illustrated)
3. Press down on the bottom of the Filter Pail (near the hole) to expose the threads of the Connecting Adaptor. Fill the Gasket over the threads as far as possible.
4. Screw Pleated Fibrous Nano Filter onto Filter Connector (turning clockwise). Tighten carefully, but be careful not to over-tighten. (Snug but not so tight as to distort the shape of the lid.)
5. Attach Spigot Assembly to clean water pail as shown in diagram.
6. Remove the orange plug from the outlet end of the Carbon Filter. Place gasket over threads. Screw the Carbon Filter into the lower portion of the Connecting Adaptor (turning clockwise) and hand tighten.
7. Place Filter Pail with attached filters onto the Clean Water Pail. Your system is now ready for use.



Spigot Assembly



WP-2000 Pour-Through Water Purification and Filtration System

\*Patent Pending

## OPERATION

**IMPORTANT NOTE:** If Optional Pre-Filter Net and/or Filtrations Sleeve are included, put them in place before adding water by sliding the Filtration Sleeve over the Purification Cartridge and then stretching the Pre-Filter Net across the top of the Filter Pail.

1. Fill Filter Pail with water from raw water source. After filling Filter pail, cover it with the Filter Pail lid.

2. Wait a few minutes for water to flow through the filters and into the Clean Water Pail.

NOTE: On first use, discard the first two pails of water produced by the system. This flushes the Filters.

3. Pull spigot handle forward to dispense purified water.

### FILTER CAPACITIES AND REPLACEMENT

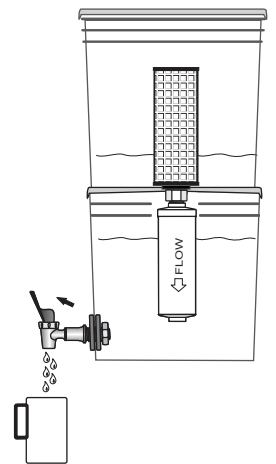
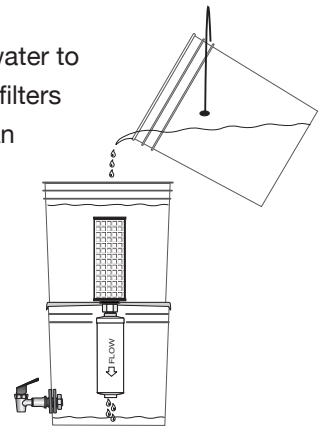
Nano Filter: 12 months or if slow flow requires a change (Part# WP-2003)\*\*

Carbon Filter Cartridge: 12 months/1,000 gallons, or if slow flow rate requires a change. (Part# WP-2002)\*\*

Pre-Filter Gasket: replace when filters are replaced (#180125-4160)

Pre-Filter Net (optional): replace when damaged or worn (Part# WP-2040)

Sleeve for Fibrous Nano Filter: replace when accumulated dirt cannot be cleaned or removed or when sleeve restricts flow. (Part# WP-2050)

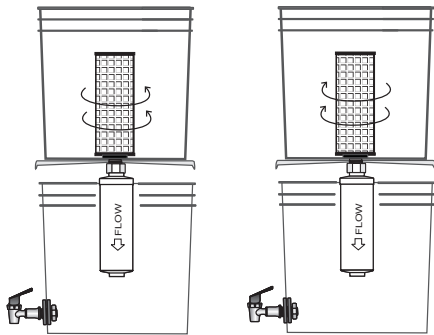


\*\*Capacity or life expectancy of the filter cartridges may vary depending on the quality of the source water.

## FILTER CHANGE INFORMATION



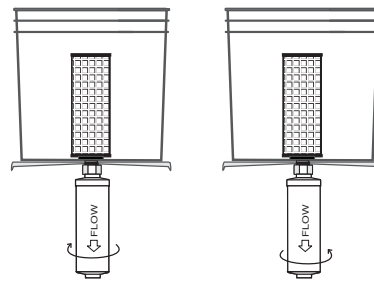
### Replacing the Purification Filter



Turn counter-clockwise to loosen and remove

Turn clockwise to replace and tighten

### Replacing the Carbon Filter Cartridge



Turn counter-clockwise to loosen and remove

Turn clockwise to replace and tighten

#### First Use:

Harmless carbon fibers may be in the water upon initial use. Discard first two pails to flush filters.

#### Caution:

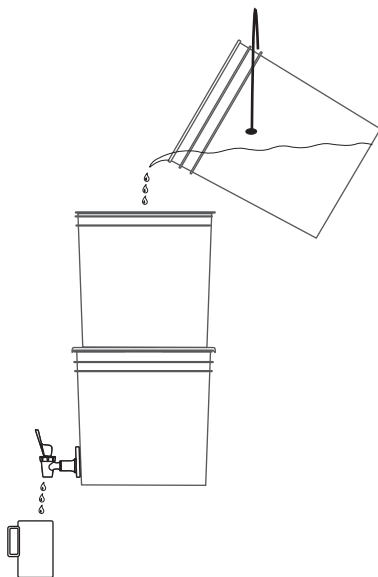
DO NOT store the system in direct sunlight or where wet filters/cartridges can freeze.  
DO NOT use with hot water – water over 90° F  
Not intended for use with salt water

#### Disclaimer:

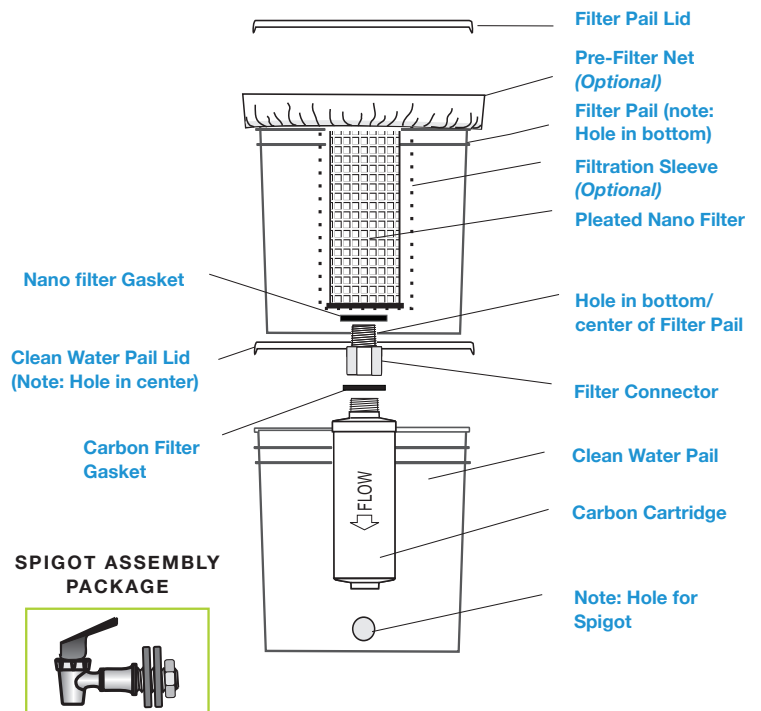
The WP-2000 is a personal water purification tool and should only be used for filtering drinking water. Any other use of this system is at owner's risk.

In the unlikely event that the Carbon Filter Cartridge cracks, throw it away. Do not continue to use it. Do not try to repair this filter.

### THE WP-2000\* 2-GALLON MINI-BUCKET A POUR-THROUGH WATER PURIFICATION & FILTRATION SYSTEM



### AN EXPLODED VIEW OF THE WP-2000\*



\*Patent Pending

